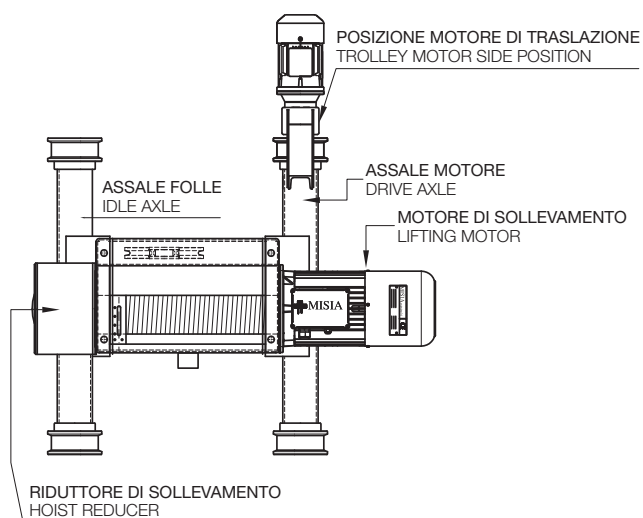


**Posizione motoriduttore**  
Motoreducer position

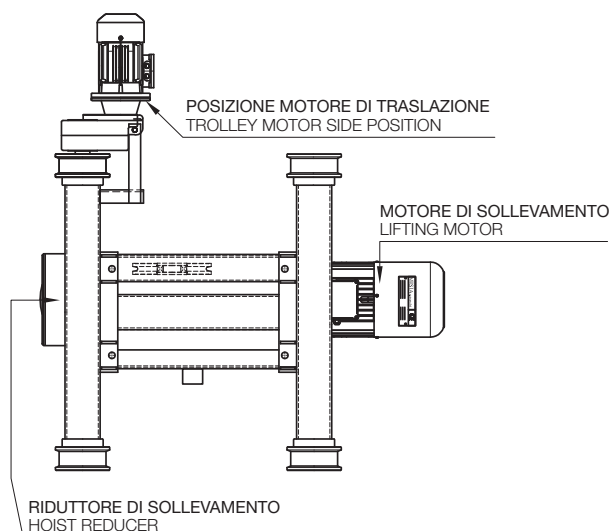
**Paranco con carrello bitrave**  
Hoist with birail trolley

**POSIZIONE MOTORIDUTTORE PARANCHI GRANDEZZA DA 308 A 525**  
MOTOREducer POSITION FOR HOIST SIZE FROM 308 TO 525

**PARANCHI IN VERSIONE APOGGIATA**  
HOIST VERSION SUPPORTED

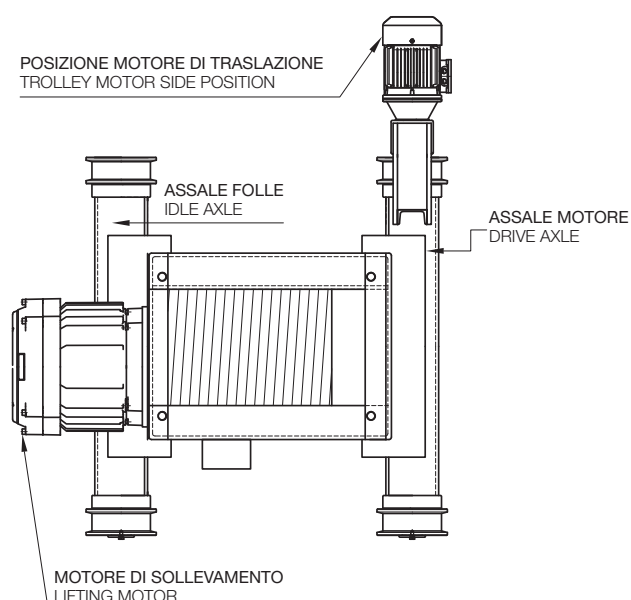


**PARANCHI IN VERSIONE SOSPESA C1**  
HOIST VERSION SUSPENDED C1

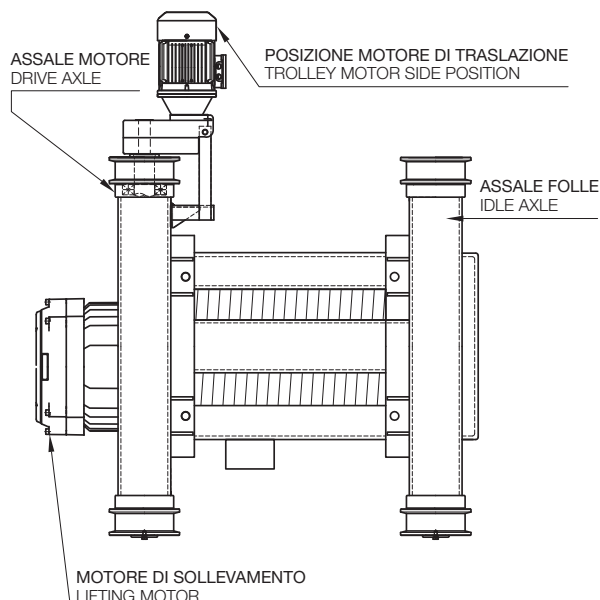


**POSIZIONE MOTORIDUTTORE PARANCHI GRANDEZZA DA 740 A 1125**  
MOTOREducer POSITION FOR HOIST SIZE FROM 740 TO 1125

**PARANCHI IN VERSIONE APOGGIATA**  
HOIST VERSION SUPPORTED



**PARANCHI IN VERSIONE SOSPESA C1**  
HOIST VERSION SUSPENDED C1

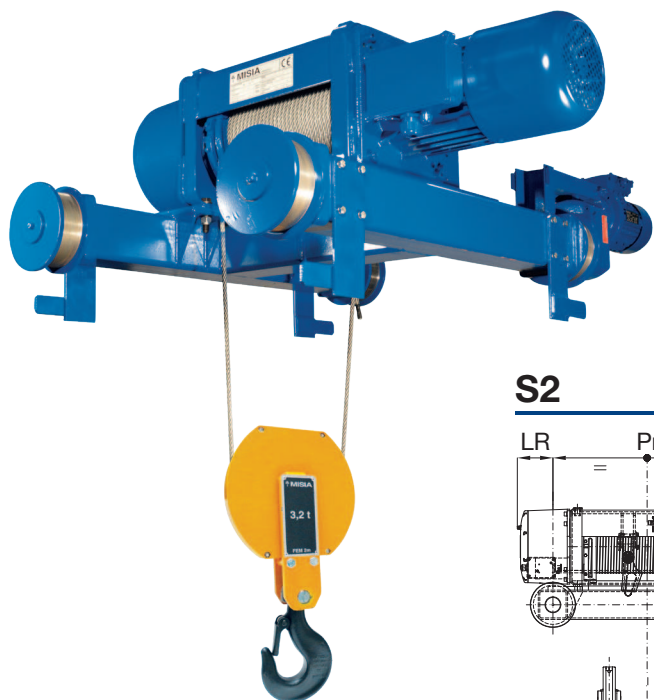


**Paranco con carrello bitrave S2**

Hoist with birail trolley S2

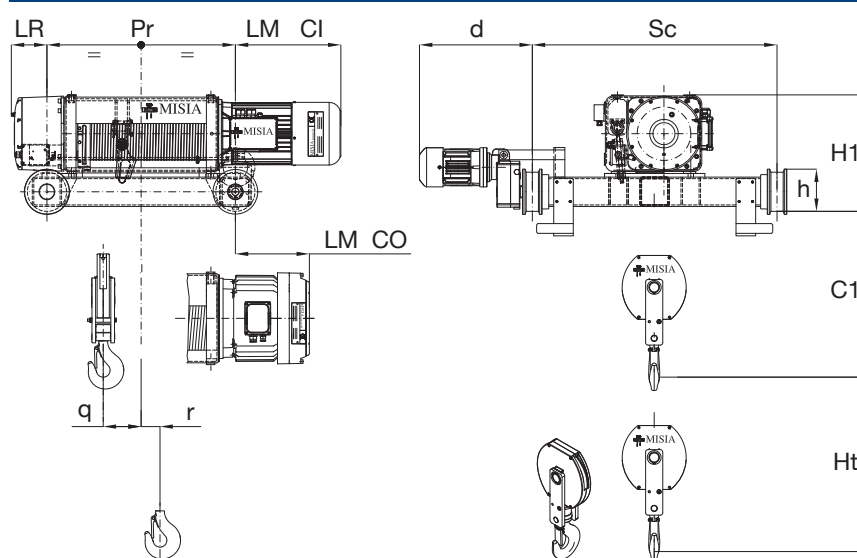
**XM 308 / 312 / 316 / 525**

- S2** 2 TIRI DI FUNE (2/1) - 2 ROPE FALLS (2/1)
- Tipo 53** CARRELLO BITRAVE CON PARANCO APPOGGIATO  
BIRAIL TROLLEY HOIST SUPPORTED
- Tipo 53C1** CARRELLO BITRAVE CON PARANCO SOSPESO  
BIRAIL TROLLEY HOIST SUSPENDED



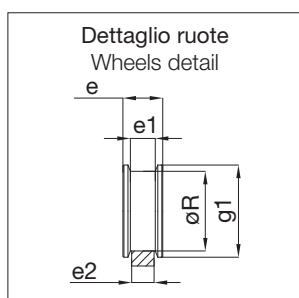
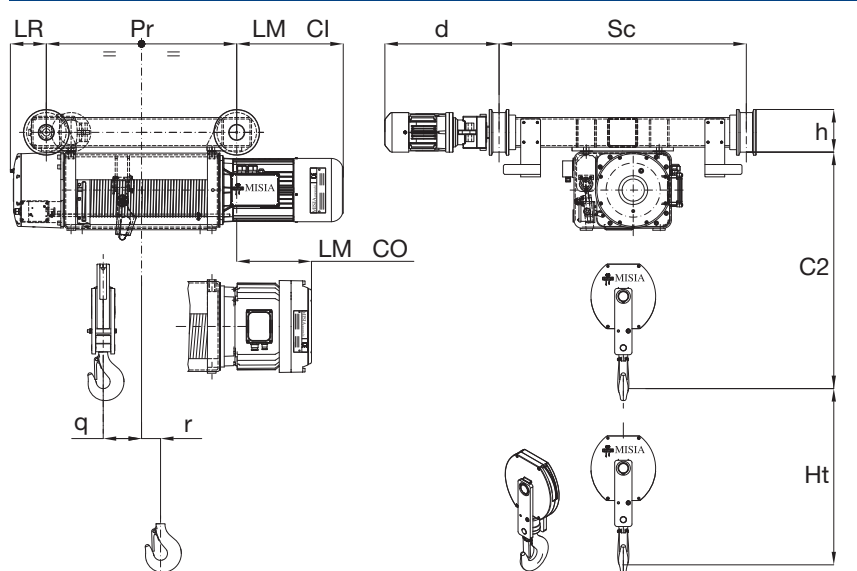
**S2**

**Tipo 53**



**S2**

**Tipo 53C1**



## Dimensioni fisse

Fixed dimensions

Portata WLL	Gruppo Group	Paranco Hoist type	C1	C2	Sc	H1	H2	a	b	d	h	øR	e	e1	e2	g1
Kg	FEM	XM	mm	mm	mm	mm	mm	mm	mm	mm	mm	mm	mm	mm	mm	mm
1000	3m	308 - 2/1	570	900	1000	490	320	240	250	460	175	160	80	50	40	185
1600	2m	308 - 2/1	570	900	1000	490	320	240	250	460	175	160	80	50	40	185
2500	2m	312 - 2/1	640	965	1000	490	320	240	250	460	175	160	80	50	40	185
3200	2m	316 - 2/1	640	965	1000	490	320	240	250	460	175	160	80	50	40	185
5000	2m	525 - 2/1	730	1110	1000	550	390	250	275	520	175	160	80	50	40	185

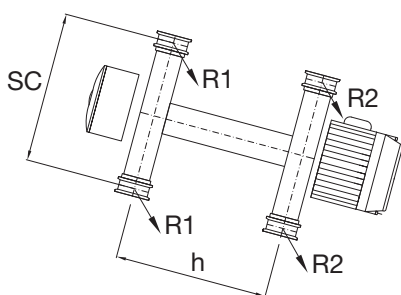
## Dimensioni variabili

Variable dimensions

Portata WLL	Gruppo Group	Paranco Hoist type	Corsa gancio Hook travel	Pr	q	r	LMCI				LMCO				LR	Peso Weight	
Kg	FEM	XM	m	mm	mm	mm	mm N	mm V	mm NA	mm VA	mm N	mm V	mm NA	mm VA		Kg	
1000	3m	308 - 2/1	10	595	91	61	360	360	390	390	215	275	285	320	200		380
			14	720	154												415
1600	2m		20	900	244												430
			26	1085	377												455
2500	2m	312 - 2/1	10	640	90	77	360	360	390	460	275	320	320	320	250		440
			14	770	155												480
			20	975	258												505
			26	1175	358												540
3200	2m	316 - 2/1	10	640	90	77	360	465	400	465	275	/	320	/	250		455
			14	770	155												495
			20	975	258												520
			26	1175	358												550
5000	2m	525 - 2/1	10	655	90	78	500	500	500	550	315	365	360	405	270		630
			14	790	157												670
			20	995	260												710
			26	1195	360												740

## Reazioni statiche

Static reactions



Carico sulla singola ruota =  $\frac{R1}{2}$   $\frac{R2}{2}$   
 Load on the single wheel =  $\frac{R1}{2}$   $\frac{R2}{2}$

Paranco Hoist type	Portata WLL	Corse gancio Hook travel							
		H10		H14		H20		H26	
XM	Kg	R1 daN	R2 daN	R1 daN	R2 daN	R1 daN	R2 daN	R1 daN	R2 daN
308	1000	455	235	464	244	497	219	523	205
308	1600	670	321	678	329	728	288	766	262
312	2000	817	403	827	412	897	355	945	322
312	2500	993	478	1002	487	1088	414	1146	371
316	3200	1242	586	1252	596	1360	500	1432	443
525	3200	1290	626	1295	640	1406	549	1478	492
525	4000	1570	746	1574	760	1711	645	1798	572
525	5000	1921	895	1924	911	2091	764	2199	671

**Paranco con carrello bitrave S2**

Hoist with birail trolley S2

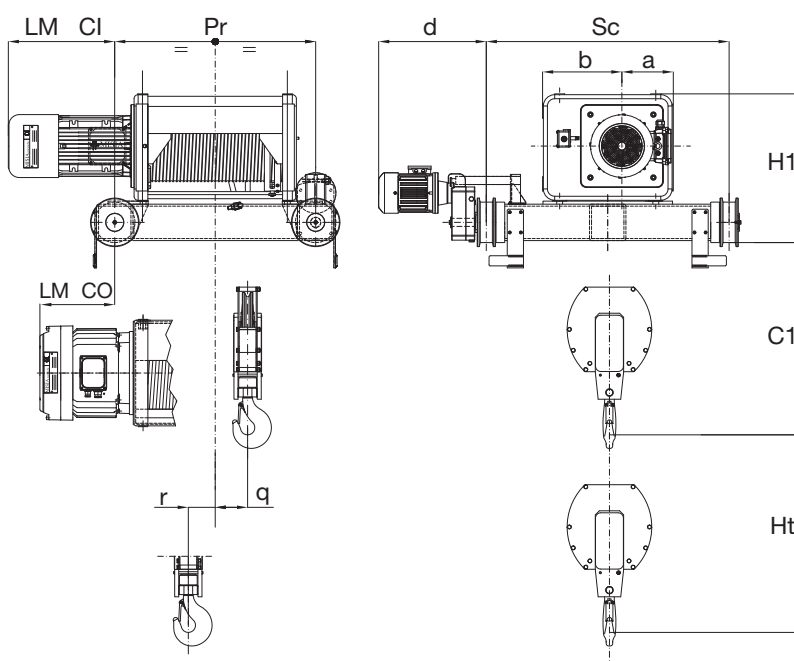
**XM 740 / 750 / 963 / 980 / 1100 / 1125**

- S2** 2 TIRI DI FUNE (2/1) - 2 ROPE FALLS (2/1)
- Tipo 53** CARRELLO BITRAVE CON PARANCO APPOGGIATO  
BIRAIL TROLLEY HOIST SUPPORTED
- Tipo 53C1** CARRELLO BITRAVE CON PARANCO SOSPESO  
BIRAIL TROLLEY HOIST SUSPENDED



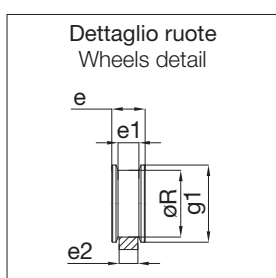
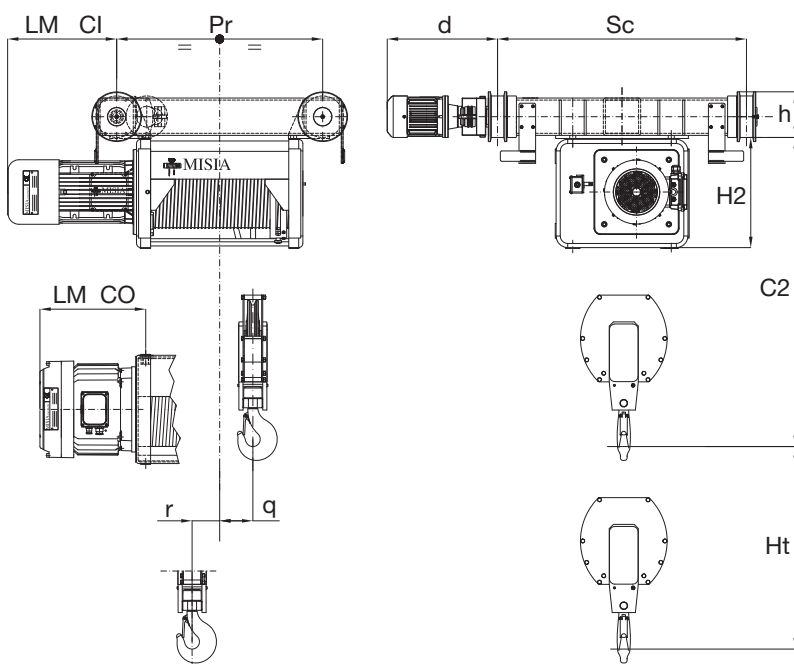
**S2**

**Tipo 53**



**S2**

**Tipo 53C1**



## Dimensioni fisse

Fixed dimensions

Portata WLL	Gruppo Group	Paranco Hoist type	C1	C2	Sc	H1	H2	a	b	d	h	øR	e	e1	e2	g1
Kg	FEM	XM	mm	mm	mm	mm	mm	mm	mm	mm	mm	mm	mm	mm	mm	mm
6300	3m	740 - 2/1	840	1390	1200	740	535	320	405	540	220	200	90	60	50	240
8000	2m	740 - 2/1	840	1390	1200	740	535	320	405	540	220	200	90	60	50	240
10000	2m	750 - 2/1	950	1390	1200	740	535	320	405	630	220	200	90	60	50	240
10000	3m	963 - 2/1	1100	1700	1200	880	615	370	450	630	270	250	90	60	50	290
12500	2m	963 - 2/1	1100	1700	1200	880	615	370	450	630	270	250	90	60	50	290
16000	1Am	980 - 2/1	1100	1750	1200	880	615	370	450	630	270	250	90	60	50	290
20000	2m	1100 - 2/1	1330	/	1450	1060	/	480	500	660	345	320	120	90	80	370
25000	1Am	1125 - 2/1	1330	/	1450	1060	/	480	500	660	345	320	120	90	80	370

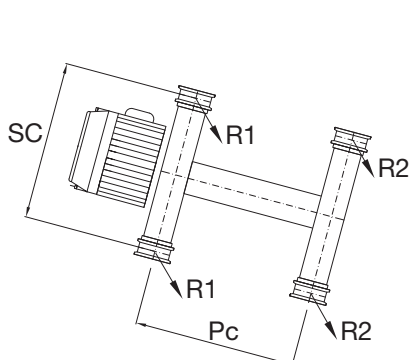
## Dimensioni variabili

Variable dimensions

Portata WLL	Gruppo Group	Paranco Hoist type	Corsa gancio Hook travel	Pr	q	r	LMCI				LMCO				Peso Weight
							mm N	mm V	mm NA	mm VA	mm N	mm V	mm NA	mm VA	
6300	3m	740 - 2/1	13	843	130	83	530	/	530	/	340	/	380	/	1150
			18	993	160	1200									
8000	2m		25	1208	268	133									1270
			32	1423	375	1360									
10000	2m	750 - 2/1	13	843	130	83	1183								
			18	993	160	1290									
			10000	3m	963 - 2/1	25		1208	268	133	1330				
						32		1423	375	1480					
20	1160	230	134	1780											
32	1575	438	610	/		610	/	345	/	345	/	2010			
12500	2m	963 - 2/1	48	2075	688	134	2300								
			20	1160	230	1780									
			32	1575	438	600	/	600	/	335	/	335	/	2010	
16000	1Am	980 - 2/1	48	2075	688	134	2300								
			20	1160	230	134	590	/	590	/	325	/	325	/	2020
			32	1575	438	590	/	590	/	325	/	325	/	2250	
20000	2m	1100 - 2/1	22	1337	305	100	4160								
			28	1522	400	620	/	620	/	325	/	355	/	4265	
			36	1762	520	4520									
			52	2272	775	4900									
25000	1Am	1125 - 2/1	22	1337	305	100	4160								
			28	1522	400	620	/	620	/	325	/	355	/	4265	
			36	1762	520	4520									
			52	2272	775	4900									

## Reazioni statiche

Static reactions

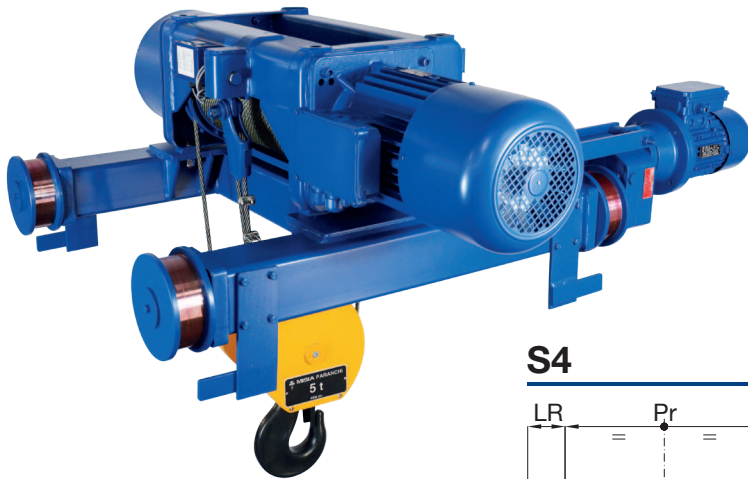


Paranco Hoist	Portata Capacity	Corse gancio Hook travel							
		H13		H18		H25		H32	
XM	Kg	R1 daN	R2 daN	R1 daN	R2 daN	R1 daN	R2 daN	R1 daN	R2 daN
740	6300	2371	1355	2405	1345	2680	1106	2770	1058
740	8000	2927	1649	2967	1633	3311	1325	3419	1259
750	10000	3589	2003	3651	1994	4065	1596	4213	1526
XM	Kg	H20		H32		H48		/	
963	10000	3974	1913	4435	1567	4778	1368	/	/
963	12500	4847	2290	5408	1844	5817	1579	/	/
980	16000	6168	2839	6874	2250	7378	1887	/	/
XM	Kg	H22		H28		H36		H52	
1100	20000	8413	3666	8790	3340	9173	3069	9723	2688
1125	25000	10233	4346	10697	3933	11161	3581	11826	3085

**Paranco con carrello bitrave S4**  
Hoist with birail trolley S4

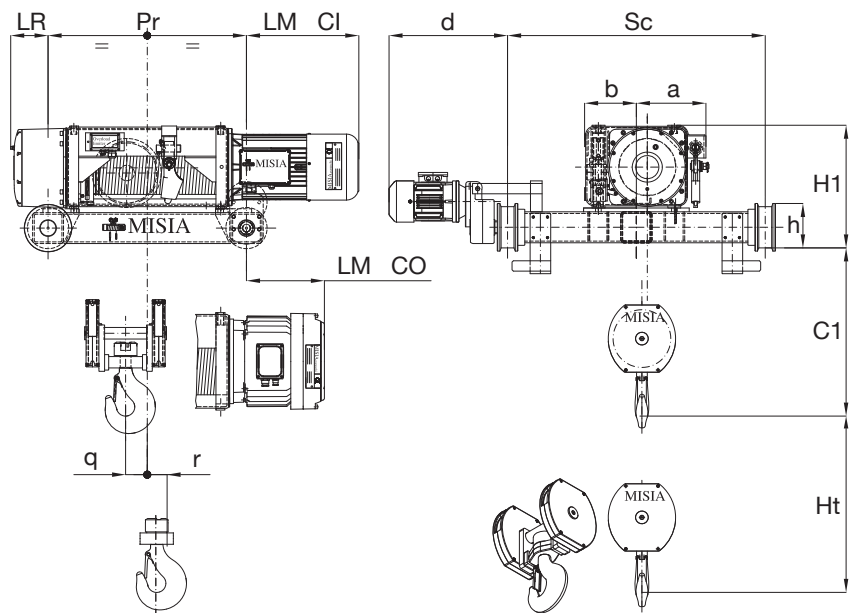
**XM 308 / 312 / 316 / 525**

- S4** 4 TIRI DI FUNE (4/1) - 4 ROPE FALLS (2/1)  
**Tipo 53** CARRELLO BITRAVE CON PARANCO APPOGGIATO  
 BIRAIL TROLLEY HOIST SUPPORTED  
**Tipo 53C1** CARRELLO BITRAVE CON PARANCO SOSPESO  
 BIRAIL TROLLEY HOIST SUSPENDED



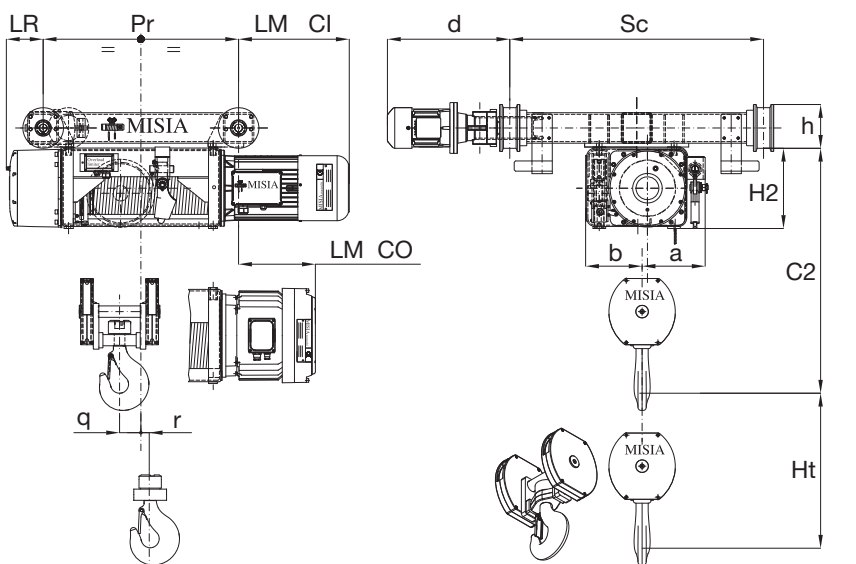
**S4**

**Tipo 53**

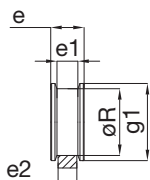


**S4**

**Tipo 53C1**



Dettaglio ruote  
Wheels detail



## Dimensioni fisse

Fixed dimensions

Portata WLL	Gruppo Group	Paranco Hoist type	C1	C2	Sc	H1	H2	a	b	d	h	øR	e	e1	e2	g1
Kg	FEM	XM	mm	mm	mm	mm	mm	mm	mm	mm	mm	mm	mm	mm	mm	mm
2000	3m	308 - 4/1	520	840	1000	490	320	255	220	460	175	160	80	50	40	185
3200	2m	308 - 4/1	520	840	1000	490	320	255	220	460	175	160	80	50	40	185
5000	2m	312 - 4/1	640	965	1000	490	320	255	220	460	175	160	80	50	40	185
6300	2m	316 - 4/1	640	965	1000	490	320	255	220	460	175	160	80	50	40	185
10000	2m	525 - 4/1	750	1060	1000	550	390	275	250	520	175	160	80	50	40	185

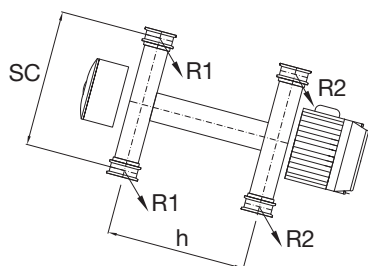
## Dimensioni variabili

Variable dimensions

Portata WLL	Gruppo Group	Paranco Hoist type	Corsa gancio Hook travel	Pr	q	r	LMCI				LMCO				LR	Peso Weight
							mm N	mm V	mm NA	mm VA	mm N	mm V	mm NA	mm VA		
2000	3m	308 - 4/1	7	720	90	17	360	360	390	390	215	275	285	320	200	440
			10	900	180	-28										450
3200	2m		13	1085	273	-75										480
		5000	2m	312 - 4/1	7	770	84	33	360	360	390	460	275	320	320	320
10	975				187	-20	550									
13	1175				287	-70	580									
6300	2m	316 - 4/1	7	770	84	33	360	465	400	465	275	/	320	/	250	540
			10	975	187	-20										560
			13	1175	287	-70										590
10000	2m	525 - 4/1	7	790	73	45	500	500	500	550	315	365	360	405	270	700
			10	995	176	-8										740
			13	1195	267	-58										780

## Reazioni statiche

Static reactions



Paranco Hoist type	Portata WLL	Corse gancio Hook travel					
		H7		H10		H13	
		R1 daN	R2 daN	R1 daN	R2 daN	R1 daN	R2 daN
308	2000	738	486	818	415	876	370
308	2500	884	590	974	510	1040	456
308	3200	1100	724	1214	620	1296	550
312	4000	1358	918	1532	758	1645	660
312	5000	1656	1120	1868	922	2007	798
316	6300	2054	1380	2319	1129	2492	971
525	6300	2058	1470	2336	1211	2494	1073
525	8000	2542	1836	2912	1484	3179	1238
525	10000	2947	2431	3761	1636	4061	1356

**Paranco con carrello bitrave S4**  
Hoist with birail trolley S4

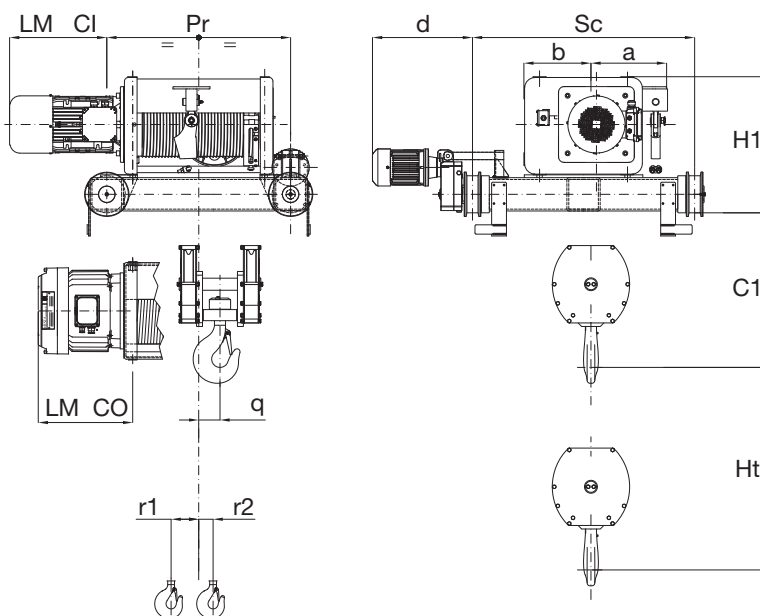
**XM 740 / 750 / 963 / 980 / 1100 / 1125**

- S4** 4 TIRI DI FUNE (4/1) - 4 ROPE FALLS (4/1)  
**Tipo 53** CARRELLO BITRAVE CON PARANCO APPOGGIATO  
 BIRAIL TROLLEY HOIST SUPPORTED  
**Tipo 53C1** CARRELLO BITRAVE CON PARANCO SOSPESO  
 BIRAIL TROLLEY HOIST SUSPENDED



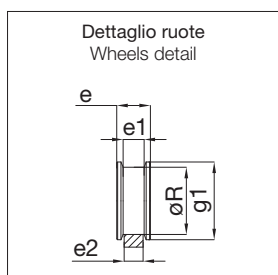
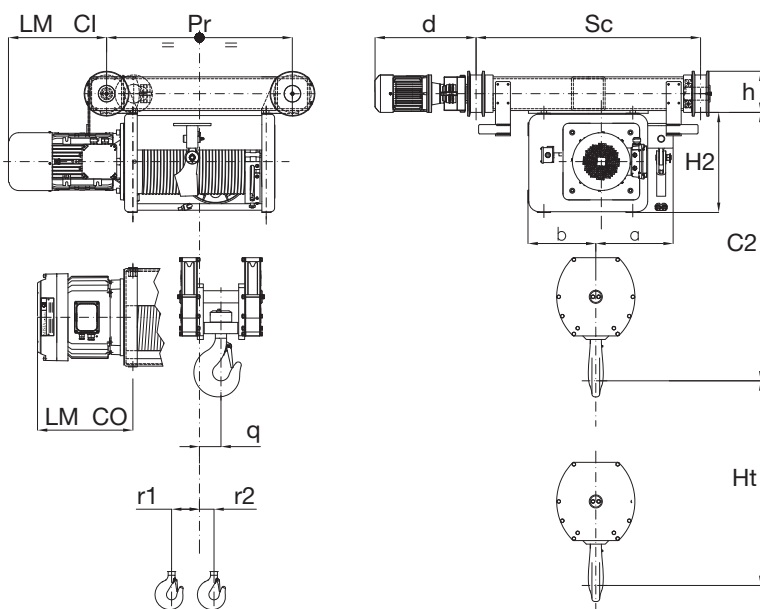
**S4**

**Tipo 53**



**S4**

**Tipo 53C1**





## Dimensioni fisse

Fixed dimensions

Portata WLL	Gruppo Group	Paranco Hoist type	C1	C2	Sc	H1	H2	a	b	d	h	øR	e	e1	e2	g1
Kg	FEM	XM	mm	mm	mm	mm	mm	mm	mm	mm	mm	mm	mm	mm	mm	mm
12500	3m	740 - 4/1	830	1360	1200	740	535	360	340	540	220	200	90	60	50	240
16000	2m	740 - 4/1	830	1360	1200	740	535	360	340	540	220	200	90	60	50	240
20000	2m	750 - 4/1	850	1410	1200	770	535	360	340	630	270	250	90	60	50	290
20000	3m	963 - 4/1	1150	1750	1450	880	620	435	430	630	270	250	90	60	50	290
25000	2m	963 - 4/1	1150	1750	1450	880	620	435	430	630	270	250	90	60	50	290
32000	1Am	980 - 4/1	1200	1800	1450	1180	600	450	320	660	345	320	100	70	60	370
40000	2m	1100 - 4/1	1270	/	2000	1270	/	660	500	660	345	320	120	90	80	370
50000	1Am	1125 - 4/1	1270	/	2000	1270	/	660	500	660	345	320	120	90	80	370

## Dimensioni variabili

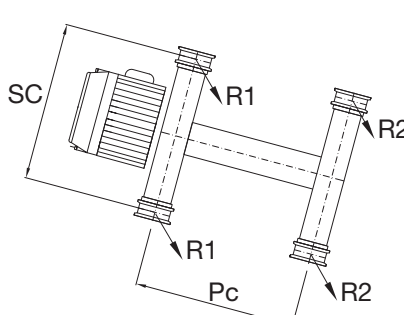
Variable dimensions

Portata WLL	Gruppo Group	Paranco Hoist type	Corsa gancio Hook travel	Pr	q	r1	r2	LMCI				LMCO				Peso Weight
Kg	FEM	XM	m	mm	mm	mm	mm	mm N	mm V	mm NA	mm VA	mm N	mm V	mm NA	mm VA	Kg
16000	2m	740 - 4/1	6,5	843	35	71	/	530	/	530	/	340	/	380	/	1180
			9	993	115	31	/									1310
			12,5	1208	223	/	22									1410
			16	1423	330	/	76									1460
20000	2m	750 - 4/1	6,5	883	38	69	/	530	/	530	/	340	/	380	/	1475
			9	1033	115	31	/									1600
			12,5	1248	223	/	22									1700
			16	1463	330	/	76									1780
20000	3m	963 - 4/1	10	1160	130	52	/	610	/	610	/	345	/	345	/	2045
			16	1575	338	/	51									2270
			24	2075	588	/	177									2550
25000	2m	963 - 4/1	10	1160	130	52	/	600	/	600	/	335	/	335	/	2045
			16	1575	338	/	51									2270
			24	2075	588	/	177									2550
32000	1Am	980 - 4/1	10	1180	130	52	/	590	/	590	/	325	/	325	/	2515
			16	1595	338	/	51									2760
			24	2095	588	/	177									3060
40000*	2m	1100 - 4/1	11	1437	193	12	/	620	/	620	/	325	/	355	/	4470
			14	1622	285	/	35									4600
			18	1862	405	/	95									4890
			26	2372	660	/	222									5600
50000*	1Am	1125 - 4/1	11	1437	193	12	/	620	/	620	/	325	/	355	/	4470
			14	1622	285	/	35									4600
			18	1867	405	/	95									4890
			26	2372	660	/	222									5600

\* Solo in versione appoggiata / Only supported version

## Reazioni statiche

Static reactions



Paranco Hoist	Portata Capacity	Corse gancio Hook travel							
		H6,5		H9		H12,5		H16	
XM	kg	R1 daN	R2 daN	R1 daN	R2 daN	R1 daN	R2 daN	R1 daN	R2 daN
740	12500	3714	3184	4213	2752	4778	2238	4985	2057
740	16000	4663	3986	5291	3424	6005	2761	6266	2526
750	20000	5828	4981	6601	4269	7485	3432	7816	3145
XM	kg	H10		H16		H24		/	
963	20000	6692	4428	7782	3449	8545	2823	/	/
963	25000	8222	5398	9569	4162	10504	3364	/	/
980	32000	10523	6900	12242	5303	13427	4265	/	/
XM	kg	H11		H14		H18		H26	
1100	40000	11048	11385	11697	10825	12351	10293	13334	9550
1125	50000	13506	13927	14305	13217	15105	12539	16302	11582