

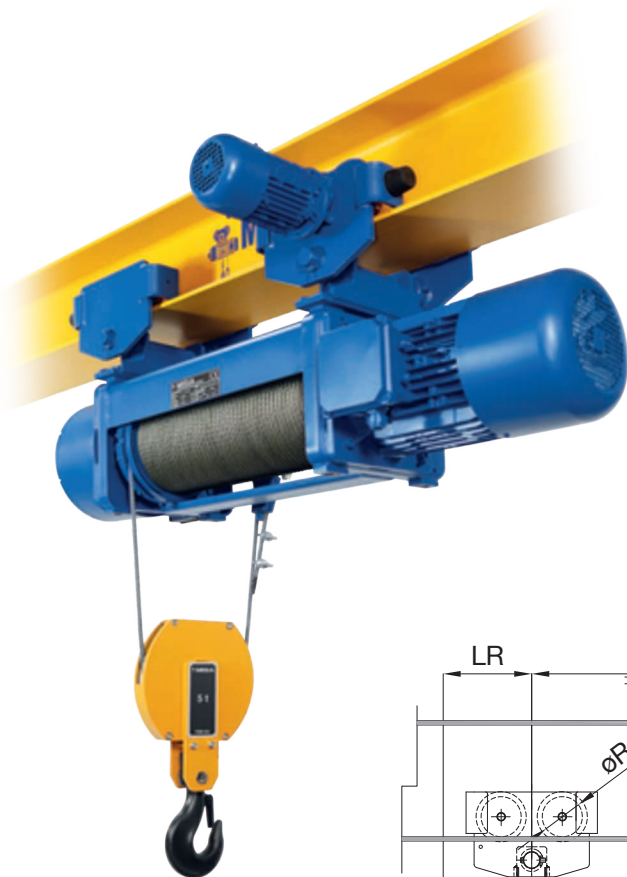
**Paranco con carrello monotrave S2**

Hoist with monorail trolley S2

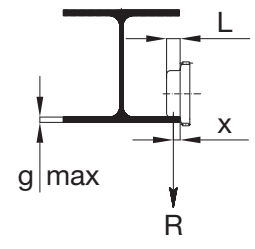
**XM 308 / 312 / 316 / 525**

Portata Capacity 1÷5 t

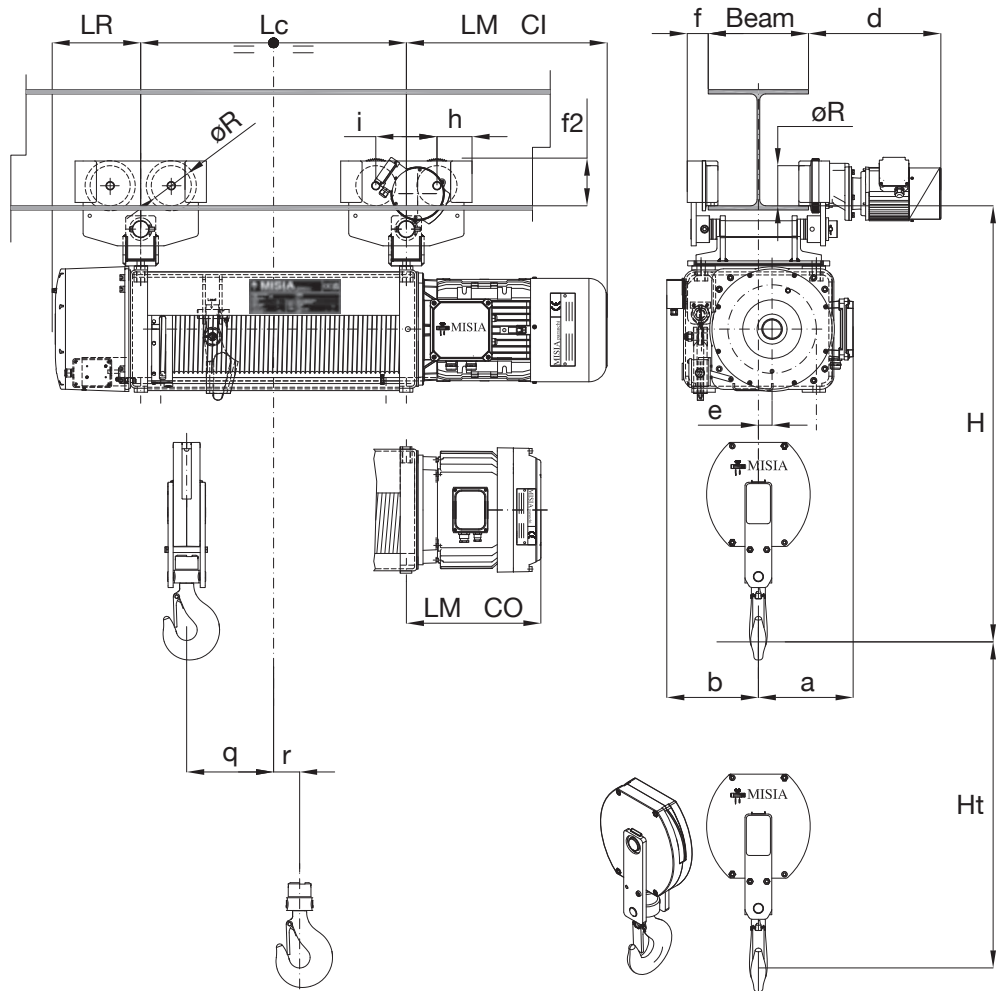
**S2** 2 TIRI DI FUNE (2/1) - 2 ROPE FALLS (2/1)

**Tipo 3** A INGOMBRO NORMALE - STANDARD HEADROOM


Diametro ruota Wheel diameter	x	L	g max
mm	mm	mm	mm
120	17	35	25



R = Per single wheel



### Dimensioni fisse

Fixed dimensions

Portata WLL	Gruppo Group	Paranco Hoist type	C	H	a	b	d	e	f	øR	f2	i	h	Larghezza min ala trave Min flange width
Kg	FEM	XM	mm	mm	mm	mm	mm	mm	mm	mm	mm	mm	mm	mm
1000	3m	308 - 2/1	1080	500	240	250	410	53	60	120	145	183	110	110
1600	2m	308 - 2/1	1080	500	240	250	410	53	60	120	145	183	110	110
2500	2m	312 - 2/1	1140	510	240	250	410	40	60	120	145	183	110	110
3200	2m	316 - 2/1	1140	510	240	250	410	40	60	120	145	183	110	110
5000	2m	525 - 2/1	1290	560	280	260	410	41	60	120	145	183	110	110

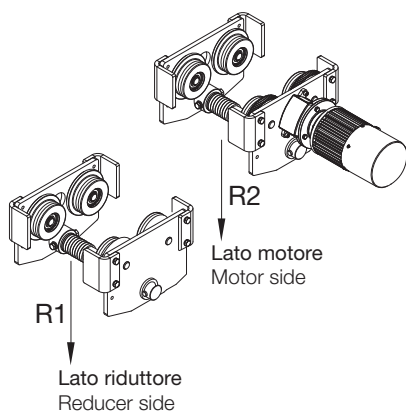
### Dimensioni variabili

Variable dimensions

Portata WLL	Gruppo Group	Paranco Hoist type	Corsa gancio Hook travel	Lc	q	r	LMCI				LMCO				LR	Peso Weight
Kg	FEM	XM	m	mm	mm	mm	mm N	mm V	mm NA	mm VA	mm N	mm V	mm NA	mm VA		Kg
1000	3m	308 - 2/1	10	395	91	61	460	460	490	490	315	375	385	420	200	312
			14	520	154											321
1600	2m		20	700	244											333
			26	885	377											346
2500	2m	312 - 2/1	10	440	90	77	460	460	490	565	375	420	420	420	250	372
			14	570	155											385
			20	775	258											405
			26	975	358											425
3200	2m	316 - 2/1	10	440	90	77	460	565	500	565	375	/	420	/	250	388
			14	570	155											402
			20	775	258											422
			26	975	358											442
5000	2m	525 - 2/1	10	455	90	78	600	600	600	650	415	465	460	505	270	503
			14	590	157											530
			20	795	260											562
			26	995	360											590

### Reazioni statiche

Static reactions



Paranco Hoist type	Portata WLL	Corse gancio Hook travel							
		H10		H14		H20		H26	
XM	Kg	R1 daN	R2 daN	R1 daN	R2 daN	R1 daN	R2 daN	R1 daN	R2 daN
308	1000	893	419	964	357	1023	310	1062	285
308	1600	1331	581	1441	480	1532	401	1590	357
312	2000	1607	765	1749	636	1882	523	1962	463
312	2500	1959	913	2135	750	2299	606	2395	530
316	3200	2460	1128	2684	917	2890	731	3010	631
525	3200	2503	1200	2737	993	2950	812	3077	714
525	4000	3062	1441	3350	1180	3612	950	3766	825
525	5000	3760	1743	4116	1414	4439	1123	4628	963

$$\text{Carico sulla singola ruota} = \frac{R1}{4} \quad \frac{R2}{4}$$

Load on the single wheel

**Paranco con carrello monotrave S2**

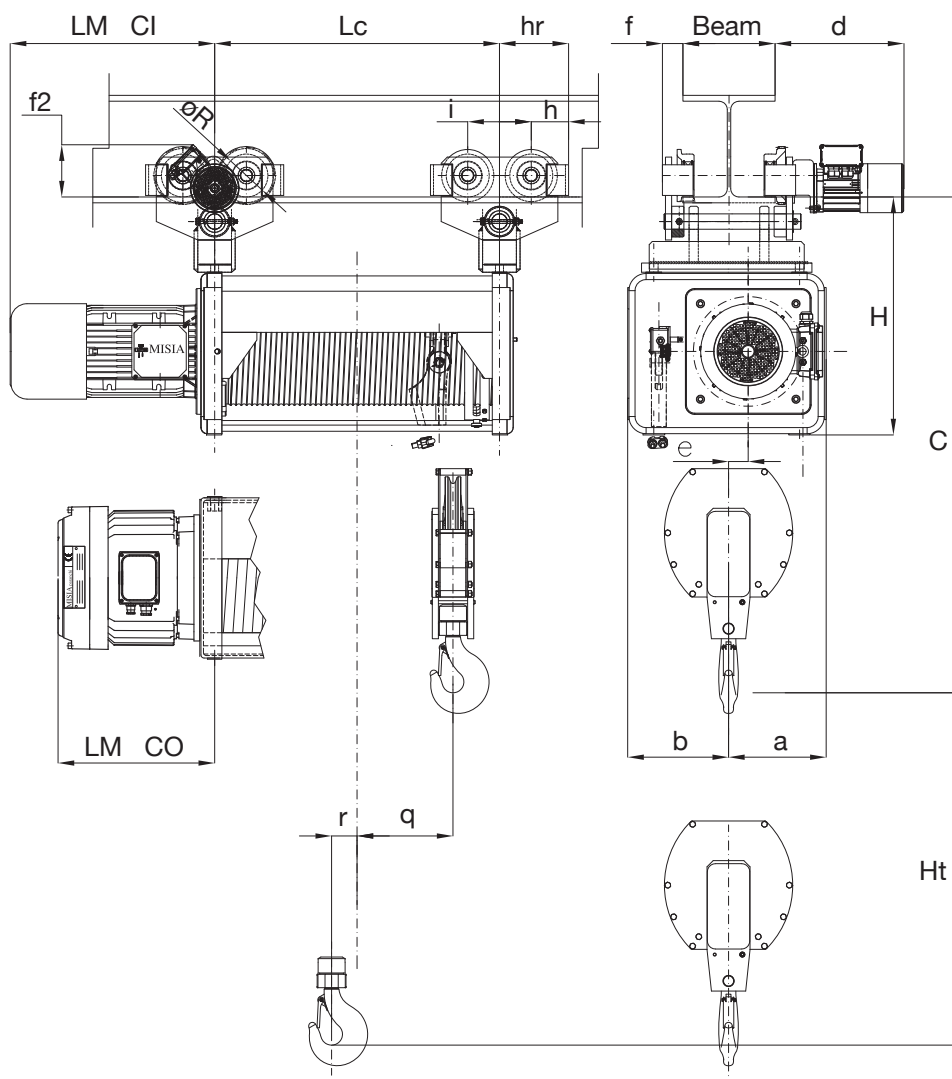
Hoist with monorail trolley S2

**XM 740 / 750 / 963**

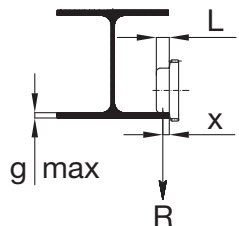
Portata Capacity 6,3÷16 t

**S2** 2 TIRI DI FUNE (2/1) - 2 ROPE FALLS (2/1)

**Tipo 3** A INGOMBRO NORMALE - STANDARD HEADROOM



Diametro ruota Wheel diameter	x	L	g max
mm	mm	mm	mm
140	20	40	25



R = Per single wheel

### Dimensioni fisse

Fixed dimensions

Portata WLL	Gruppo Group	Paranco Hoist type	C	H	a	b	d	e	f	øR	f2	i	h	hr	Larghezza min ala trave Min flange width
Kg	FEM	XM	mm	mm	mm	mm	mm	mm	mm	mm	mm	mm	mm	mm	mm
6300	3m	740 - 2/1	1650	775	410	410	410	64	70	140	165	207	125	225	120
8000	2m	740 - 2/1	1650	775	410	410	410	64	70	140	165	207	125	225	120
10000	2m	750 - 2/1	1700	775	410	410	410	64	70	140	165	207	125	225	120
10000	3m	963 - 2/1	2160	900	410	450	410	66	70	140	165	207	125	225	120
12500	2m	963 - 2/1	2160	900	410	450	410	66	100	160	235	310	150	310	150
16000	1Am	980 - 2/1	2160	900	410	450	350	66	250	160	235	310	150	310	150

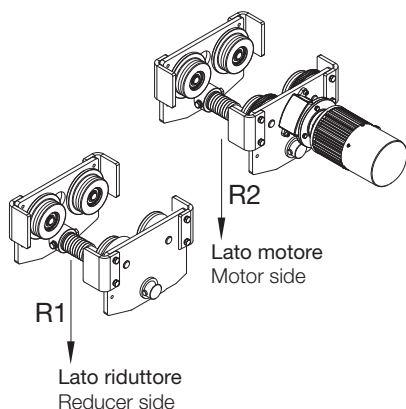
### Dimensioni variabili

Variable dimensions

Portata WLL	Gruppo Group	Paranco Hoist type	Corsa gancio Hook travel	Lc	q	r	LMCI				LMCO				LR	Peso Weight	
Kg	FEM	XM	m	mm	mm	mm	mm N	mm V	mm NA	mm VA	mm N	mm V	mm NA	mm VA	mm	Kg	
6300	3m	740 - 2/1	13	563	130	83	670	/	670	/	480	/	520	/	45	878	
			18	713	160	133											916
8000	2m		25	928	268												
32			1143	375	1173												
10000	2m	750 - 2/1	13	563		135	83	760	/	760	/	495	/	535	/	60	
			18	713	160	134	1790										
			25	928	268												2040
			32	1143	375	1590											
10000	3m	963 - 2/1	20	840	230			134	760	/	760	/	495	/	535	/	60
			32	1255	438	2040											
			48	1755	688		1590										
12500	2m	963 - 2/1	20	840	230	134		760	/	760	/	495	/	535	/	60	1790
			32	1255	438		2040										
			48	1755	688												
16000	1Am	980 - 2/1	20	840	230	134	760	/	760	/	495	/	535	/	60	2030	
			32	1255	438												2280
			48	1755	688												

### Reazioni statiche

Static reactions



Paranco Hoist	Portata Capacity	Corse gancio Hook travel							
		H13		H18		H25		H32	
XM	Kg	R1 daN	R2 daN	R1 daN	R2 daN	R1 daN	R2 daN	R1 daN	R2 daN
740	6300	5093	2085	5071	2145	5512	1766	5800	1553
740	8000	6336	2542	6303	2613	6853	2125	7208	1845
750	10000	7814	3097	7796	3210	8456	2573	8924	2249
XM	Kg	H20		H32		H48		/	
963	10000	8617	2966	9479	2308	10039	1997	/	/
963	12500	10551	3532	11602	2685	12269	2267	/	/
980	16000	13467	4358	14789	3240	15609	2665	/	/

Carico sulla singola ruota =  $\frac{R1}{4} \frac{R2}{4}$   
 Load on the single wheel =  $\frac{R1}{4} \frac{R2}{4}$

**Paranco con carrello monotrave S4**

Hoist with monorail trolley S4

**XM 308 / 312 / 316 / 525**

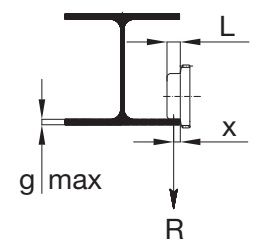
Portata Capacity 2÷10 t

**S4** 4 TIRI DI FUNE (4/1) - 4 ROPE FALLS (4/1)

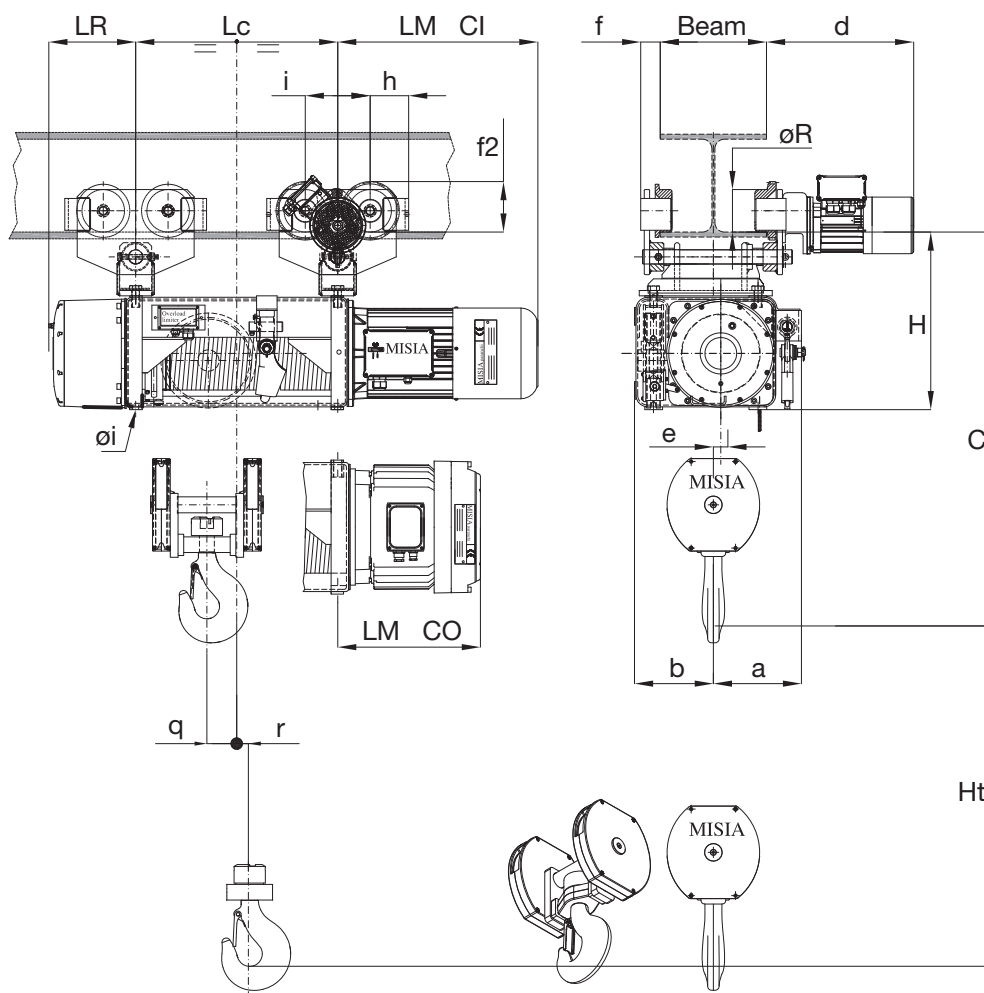
**Tipo 3** A INGOMBRO NORMALE - STANDARD HEADROOM



Diametro ruota Wheel diameter	x	L	g max
mm	mm	mm	mm
120	17	35	25
140	20	40	25



R = Per single wheel



### Dimensioni fisse

Fixed dimensions

Portata WLL	Gruppo Group	Paranco Hoist type	C	H	a	b	d	e	f	øR	f2	i	h	Larghezza min ala trave Min flange width
Kg	FEM	XM	mm	mm	mm	mm	mm	mm	mm	mm	mm	mm	mm	mm
2000	3m	308 - 4/1	985	500	260	240	410	27	60	120	145	183	110	110
3200	2m	308 - 4/1	985	500	260	240	410	27	60	120	145	183	110	110
5000	2m	312 - 4/1	1140	510	260	240	410	21	60	120	145	183	110	110
6300	2m	316 - 4/1	1140	510	260	240	410	21	65	140	170	207	125	120
10000	2m	525 - 4/1	1290	560	280	265	410	17	65	140	170	207	125	120

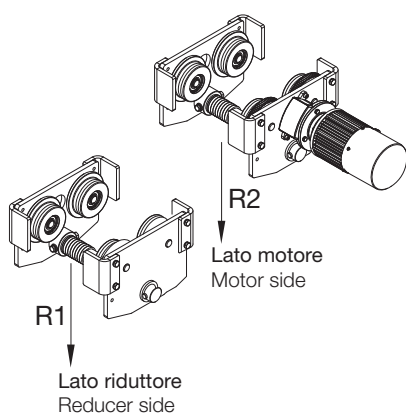
### Dimensioni variabili

Variable dimensions

Portata WLL	Gruppo Group	Paranco Hoist type	Corsa gancio Hook travel	Lc	q	r	LMCI				LMCO				LR	Peso Weight
Kg	FEM	XM	m	mm	mm	mm	mm N	mm V	mm NA	mm VA	mm N	mm V	mm NA	mm VA		Kg
2000	3m	308 - 4/1	7	520	90	17	460	460	490	490	315	375	385	420	200	335
			10	700	180	-28										350
3200	2m		13	885	273	-75										365
		5000	2m	312 - 4/1	7	570	84	33	460	460	490	565	375	420	420	420
10	775				187	-20	440									
13	975				287	-70	460									
6300	2m	316 - 4/1	7	570	84	33	460	565	500	565	375	/	420	/	250	505
			10	775	187	-20										530
			13	975	287	-70										550
10000	2m	525 - 4/1	7	590	73	45	600	600	600	650	415	465	460	505	270	685
			10	795	176	-8										715
			13	995	267	-58										750

### Reazioni statiche

Static reactions



Paranco Hoist type	Portata WLL	Corse gancio Hook travel					
		H7		H10		H13	
XM	Kg	R1 daN	R2 daN	R1 daN	R2 daN	R1 daN	R2 daN
308	2000	1523	812	1699	649	1810	553
308	2500	1860	975	2078	770	2214	649
308	3200	2331	1204	2608	940	2780	783
312	4000	2821	1597	3211	1229	3436	1025
312	5000	3469	1949	3952	1488	4230	1231
316	6300	4353	2451	4959	1868	5306	1541
525	6300	4308	2676	4944	2072	5258	1789
525	8000	5368	3316	6171	2545	6565	2182
525	10000	6616	4068	7614	3102	8101	2646

$$\text{Carico sulla singola ruota} = \frac{R1}{4} \quad \frac{R2}{4}$$

$$\text{Load on the single wheel} = \frac{R1}{4} \quad \frac{R2}{4}$$

**Paranco con carrello monotrave S4**

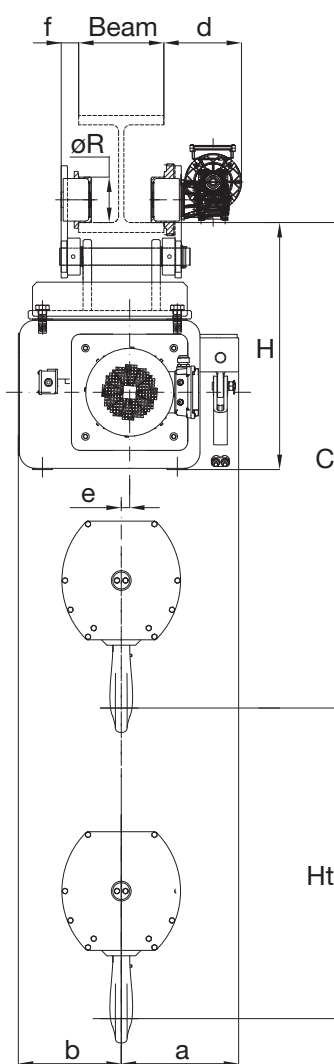
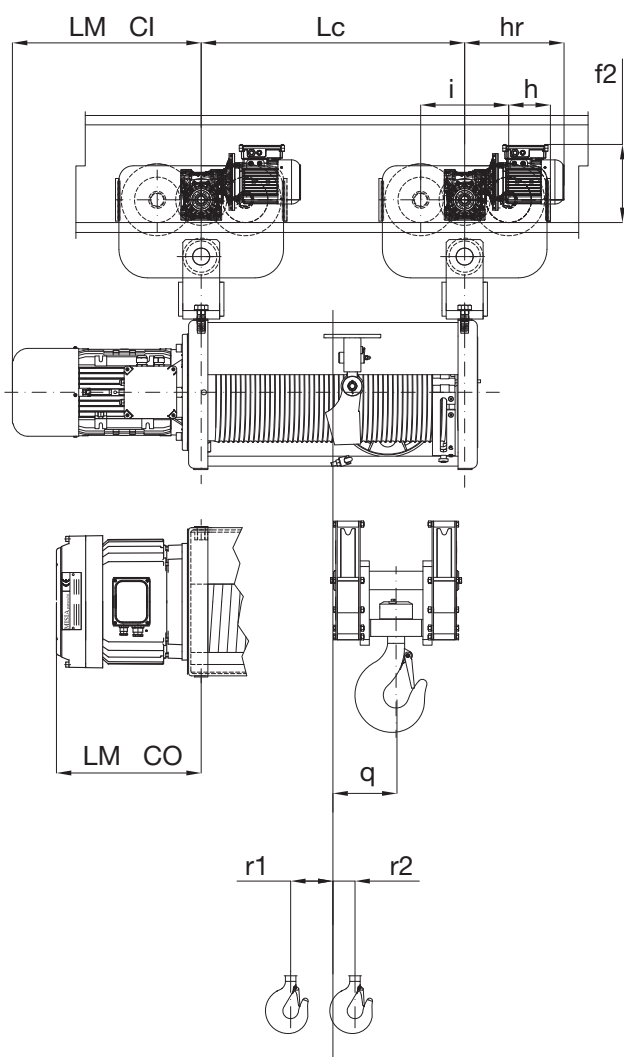
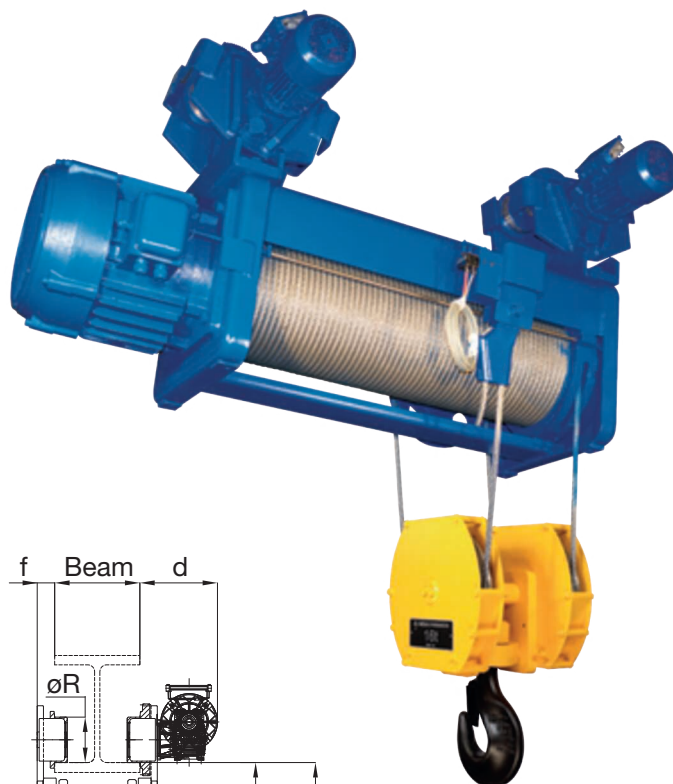
Hoist with monorail trolley S4

**XM 740 / 750 / 963**

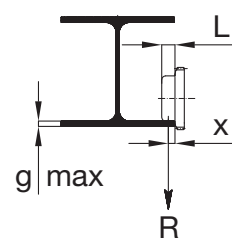
Portata Capacity 12,5÷32 t

**S4** 4 TIRI DI FUNE (4/1) - 4 ROPE FALLS (4/1)

**Tipo 3** A INGOMBRO NORMALE - STANDARD HEADROOM



Diametro ruota Wheel diameter	x	L	g max
mm	mm	mm	mm
140	20	40	25
160	22,5	45	45
210	22,5	45	45



R = Per single wheel

### Dimensioni fisse

Fixed dimensions

Portata WLL	Gruppo Group	Paranco Hoist type	C	H	a	b	d	e	f	øR	f2	i	h	hr	Larghezza min ala trave Min flange width
Kg	FEM	XM	mm	mm	mm	mm	mm	mm	mm	mm	mm	mm	mm	mm	mm
12500	3m	740 - 4/1	1710	785	415	360	410	30	70	140	165	207	125	/	150
16000	2m	740 - 4/1	1710	785	415	360	300	30	70	160	235	310	200	350	150
20000	2m	750 - 4/1	1750	910	415	360	340	30	140	160	235	310	200	350	150
20000	3m	963 - 4/1	2130	1020	470	405	340	29	140	210	235	310	200	350	150
25000	2m	963 - 4/1	2130	1020	470	405	340	29	140	210	235	310	200	350	150
32000	1Am	980 - 4/1	2250	1020	470	405	340	29	140	210	235	310	200	350	150

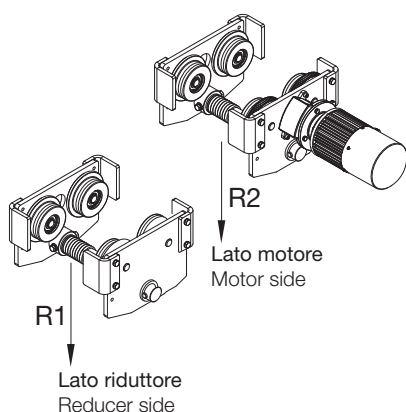
### Dimensioni variabili

Variable dimensions

Portata WLL	Gruppo Group	Paranco Hoist type	Corsa gancio Hook travel	Lc	q	r1	r2	LMCI				LMCO				Peso Weight
								mm N	mm V	mm NA	mm VA	mm N	mm V	mm NA	mm VA	Kg
12500	3m	740 - 4/1	6,5	563	35	71	/	670	/	670	/	480	/	520	/	1185
			9	713	115	31	/									1310
16000	2m		12,5	928	223	/	22									1400
			16	1143	330	/	76									1450
20000	2m	750 - 4/1	/	/	/	/	/	890	/	890	/	495	/	535	/	/
			9	713	115	31	/									1370
			12,5	928	223	/	22									1450
			16	1143	330	/	76									1520
20000	3m	963 - 4/1	10	840	130	52	/	890	/	890	/	495	/	535	/	2000
			16	1255	338	/	51									2150
			24	1755	588	/	177									2390
25000	2m	963 - 4/1	10	840	130	52	/	890	/	890	/	495	/	535	/	2000
			16	1255	338	/	51									2150
			24	1755	588	/	177									2390
32000	1Am	980 - 4/1	10	840	130	52	/	890	/	890	/	495	/	535	/	2120
			16	1255	338	/	51									2340
			24	1755	588	/	177									2580

### Reazioni statiche

Static reactions



Paranco Hoist	Portata Capacity	Corse gancio Hook travel							
		H6,5		H9		H12,5		H16	
XM	Kg	R1 daN	R2 daN	R1 daN	R2 daN	R1 daN	R2 daN	R1 daN	R2 daN
740	12500	7689	5996	9001	4807	10330	3570	10677	3265
740	16000	9656	7529	11316	5992	13001	4399	13438	4004
750	20000	11953	9307	14005	7366	16092	5358	16647	4874
XM	Kg	H10		H16		H32		/	
963	20000	14200	7756	16611	5539	18056	4331	/	/
963	25000	17474	9482	20457	6693	22232	5155	/	/
980	32000	22231	11891	26038	8290	28287	6290	/	/

$$\text{Carico sulla singola ruota} = \frac{R1}{4} \quad \frac{R2}{4}$$

Load on the single wheel