

# TCS-500-AT2S

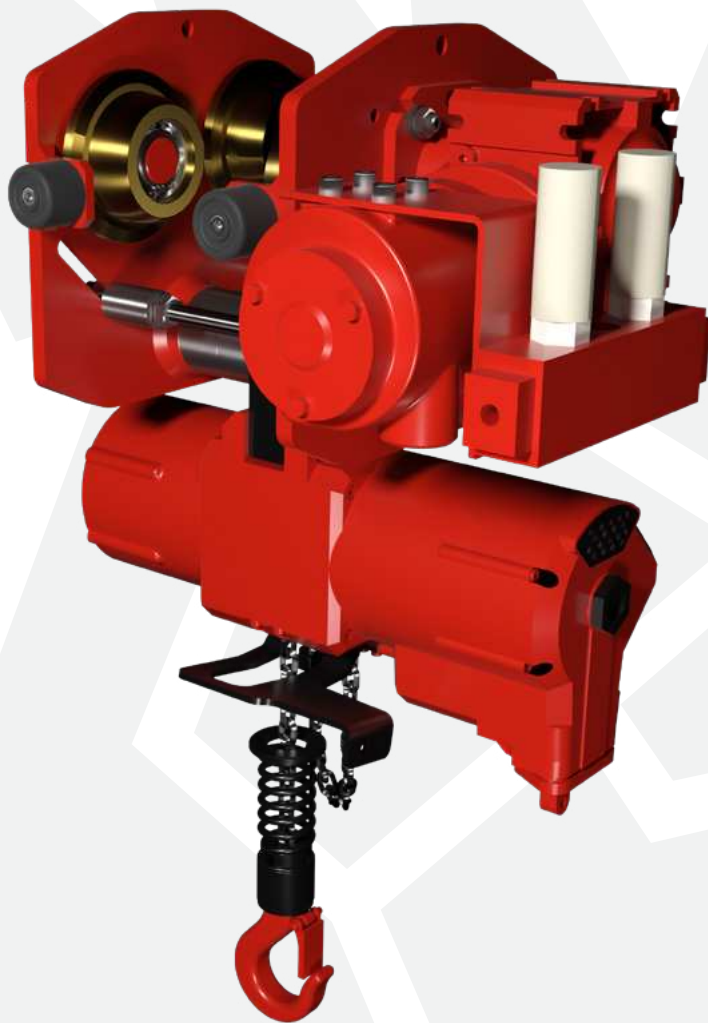
## AIR HOIST & TROLLEY

The **TCS-500-AT2S** is a 500 kg high speed chain hoist and trolley from Red Rooster Lifting. This is part of our air hoist and trolley range for lifting equipment applications in industry.



**RED ROOSTER**  
**LIFTING**

RAISING EXPECTATIONS



The **Red Rooster Lifting** TCS series of air hoists and trolleys offer a range of high speed, lightweight lifting equipment suited to all types of industrial and marine environments. Red Rooster Lifting hoists are the perfect lifting solution for where the duty is high, or where a robust hoist is required to withstand harsh conditions. The hoist and trolleys comply with the UK supply of Machinery (Safety) Regulations 2008 and the European Machinery Directive. The hoists can be UKCA marked or CE marked.

### STANDARD FEATURES

- Toku rotary vane motor
- Robust epicyclic gearbox
- Failsafe automatic internal disc brake
- Choice of pendant controls or control stations
- Upper & lower limit switches
- Lightweight aluminium housing
- Internal silencing down to 83 dB(A)
- Alloy safety swivel hooks with safety catch
- Load chain of European manufacture to EN818-7
- Trolley to suit various flange profiles
- Anti-tilt & anti-drop plates
- High efficiency motor gearbox
- Heavy duty sealed wheel bearings
- Wheel profile to suit parallel or tapered flanges

### AVAILABLE OPTIONS

- Marine specification
- Special paint systems
- Collision bumpers
- UK Ex scheme or ATEX zone 1 specification
- Chain collectors (PVC, galvanised or stainless steel)
- Articulated trolley
- Low headroom units
- Rack & pinion drive
- Travel limits
- Air service units
- Festoon systems
- Radio control remote
- Optional travel speeds
- Beam brake



**UK EX SCHEME ZONE 2**  
**ATEX ZONE 2**  
**AS STANDARD**

# TCS-500-AT2S

## AIR HOIST & TROLLEY

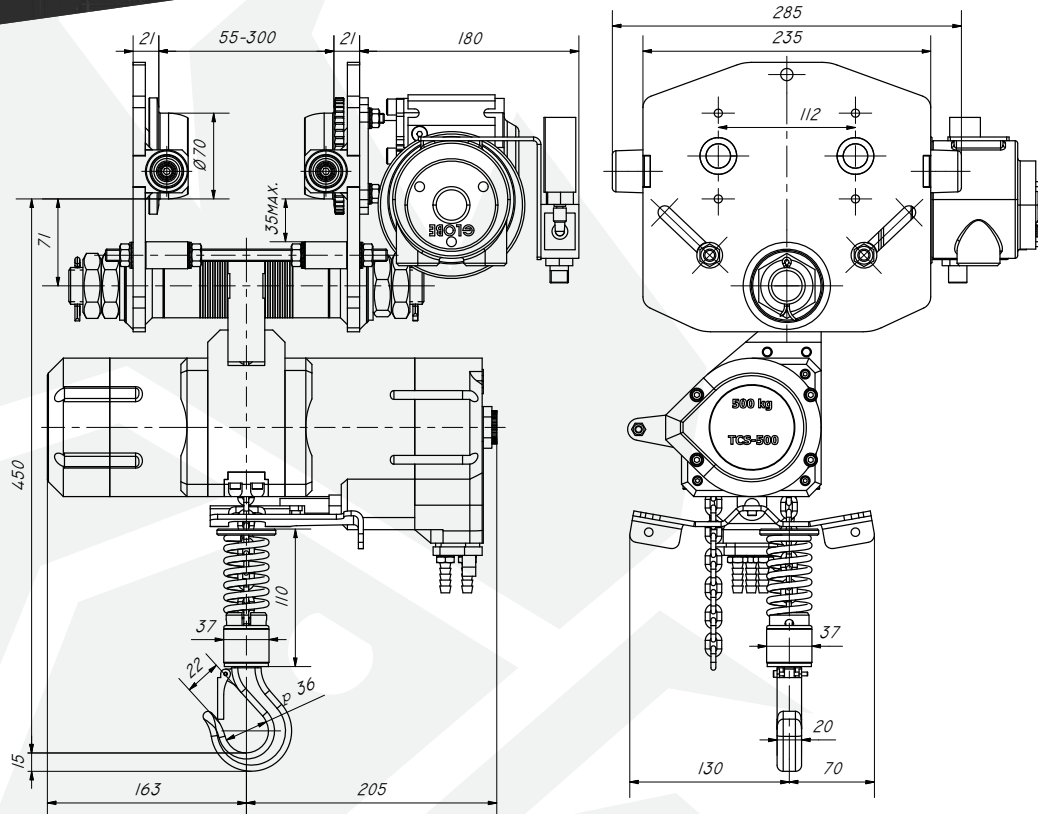


**RED ROOSTER**  
**LIFTING**

RAISING EXPECTATIONS

### DIMENSIONS

All measurements are in mm  
Information subject to change without notice



HOIST MODEL	TCS-500-AT2S	TROLLEY MODEL	AT2S
WLL	500 kg	G.A. DRAWING	1500-23
CHAIN FALLS	1	FLANGE	55-140
LIFTING SPEED FULL LOAD	17 m/min	RANGE 1	140-220
LIFTING SPEED WITHOUT LOAD	33.0 m/min	RANGE 2	220-300
MAX AIR CONSUMPTION (L/SEC)	28	RANGE 3	
WORKING PRESSURE	6 bar	STANDARD TROLLEY TEMP RANGE	-10 to +50°C
AIR CONNECTION	1/2" BSP	OPTIONAL TROLLEY TEMP RANGE	-20 to +60°C
MINIMUM HOSE DIA.	1/2"	TRAVEL SPEED (M/MIN)	9 m/min*
WEIGHT 3M HOL & TROLLEY	41 kg	ATEX ZONE 1 TRAVEL SPEED (M/MIN)	6 m/min
ADDITIONAL METRE HOL	0.8 kg	WHEEL MATERIAL	Steel
		ATEX WHEEL MATERIAL	Bronze
		MINIMUM BEND RADIUS (M)	1.5
		NUMBER OF WHEELS	4
		DRIVEN WHEELS	2
		MAX AIR CONSUMPTION	25 l/sec
		HOSE ID TROLLEY	1/2"

AT\_S = STANDARD AT\_ATX = ATEX  
\*Optional Travel Speed of 14 m/min